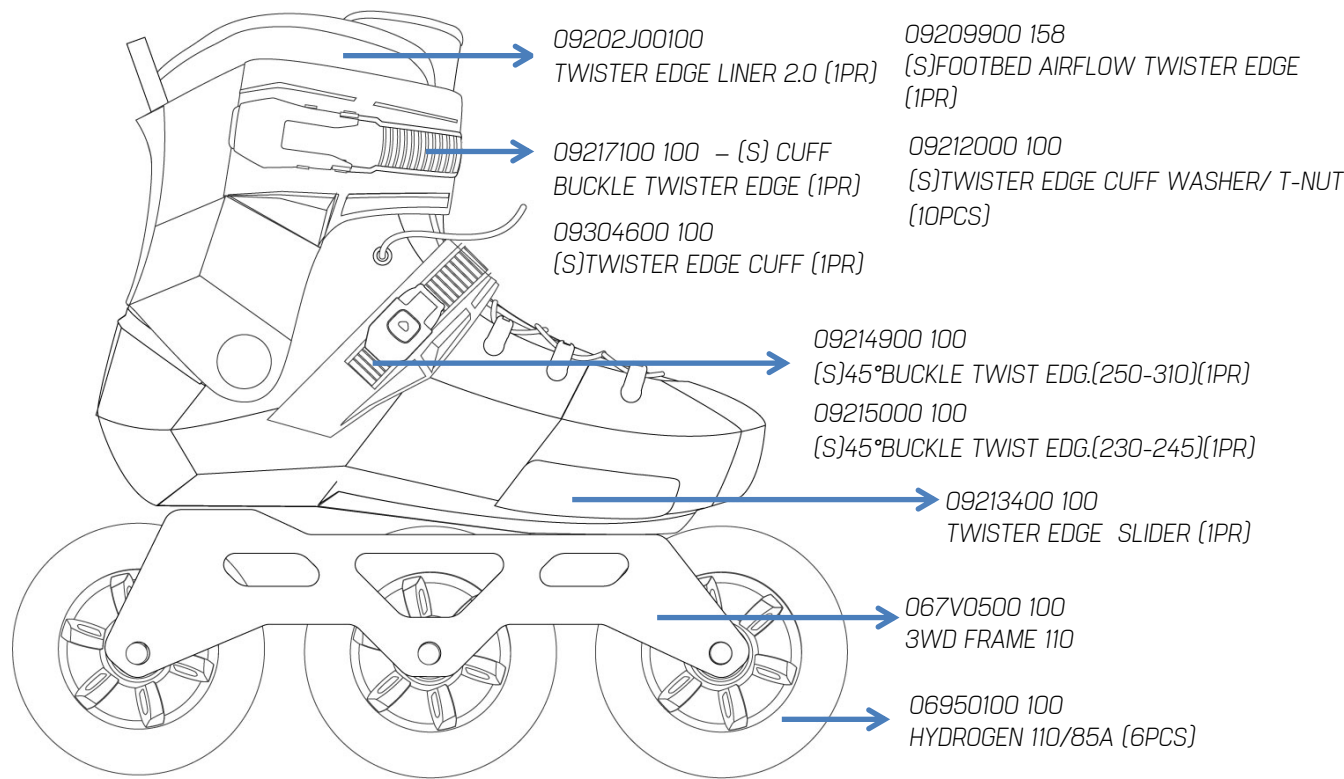


TWISTER EDGE 110 3WD



09202J00100

TWISTER EDGE LINER 2.0 (1PR)

09217100 100 - (S) CUFF
BUCKLE TWISTER EDGE (1PR)

09304600 100
(S)TWISTER EDGE CUFF (1PR)

09209900 158

(S)FOOTBED AIRFLOW TWISTER EDGE
(1PR)

09212000 100

(S)TWISTER EDGE CUFF WASHER/ T-NUT
(10PCS)

09214900 100

(S)45°BUCKLE TWIST EDG.(250-310)(1PR)

09215000 100

(S)45°BUCKLE TWIST EDG.(230-245)(1PR)

09213400 100

TWISTER EDGE SLIDER (1PR)

067V0500 100

3WD FRAME 110

06950100 100

HYDROGEN 110/85A (6PCS)

07060900 S03 TWISTER EDGE 110 3WD

09213500 007

(S)TWISTER EDGE SHOCK ERASER (1PR)

069T0100 1D1

069T0100 305

069T0100 284

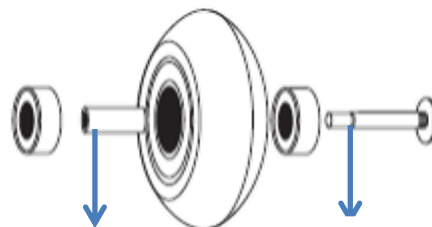
TWISTER EDGE CUSTOM KIT

068Z0100 007 - BLADETOOL PRO

AFTERMARKET

067W0300 100 - 3WD BRAKE SUPPORT

068W0500 000 - BRAKE PAD STD (1PCS)



09204200 001

BEARING SPACERS ALU 8MM (8PCS)

09203000 001

RACING AXLES (9PCS)